



TDR 300 Soil Moisture Meter

PRODUCT MANUAL

Item # 6430FS



Spectrum[®]
Technologies, Inc.

CONTENTS

General Overview	3
Shaft Dimensions	4
Computer Interface/Changing Batteries	5
Identifying the Correct Com Port	6
Meter Operation	7
Meter Calibration	10
Taking Readings	11
Field Scout Software Toolbar	14
Meter Settings	16
Connecting to a GPS Unit	18
Data Files	20
Volumetric Water Content Measurements	22
Relative Water Content	24
Specifications	26
Appendix 1: Time Zone Corrections	27
Appendix 2: Soil-Specific Calibration	28
Appendix 3: Troubleshooting	30

This manual will familiarize you with the features and operation of your new Field Scout™ TDR 300 Soil Moisture Meter. Please read this manual thoroughly before using your instrument. For customer support, or to place an order, call Spectrum Technologies, Inc. at (800) 248-8873 or (815) 436-4440 between 7:30 am and 5:30 p.m. CST
FAX (815) 436-4460
e-mail: info@specmeters.com
www.specmeters.com

GENERAL OVERVIEW

Thank you for purchasing the Field Scout™ TDR 300 Soil Moisture Meter. This manual describes the features and operation of the meter.

Soil moisture is a critical and potentially highly variable component of the soil environment. Time-domain reflectometry is a proven technology for quickly and accurately determining volumetric water content (VWC) in soil.

The Field Scout's shaft-mounted probe allows the user to easily and rapidly take many measurements. The user can quickly transition between taking VWC readings in standard and high-clay mode. The meter's built-in data logger can record data from several sites and eliminates the need to record data manually. Through the software (included) the user can download the data, change the logger settings and program the logger to record relative water content at multiple sites.

Contents

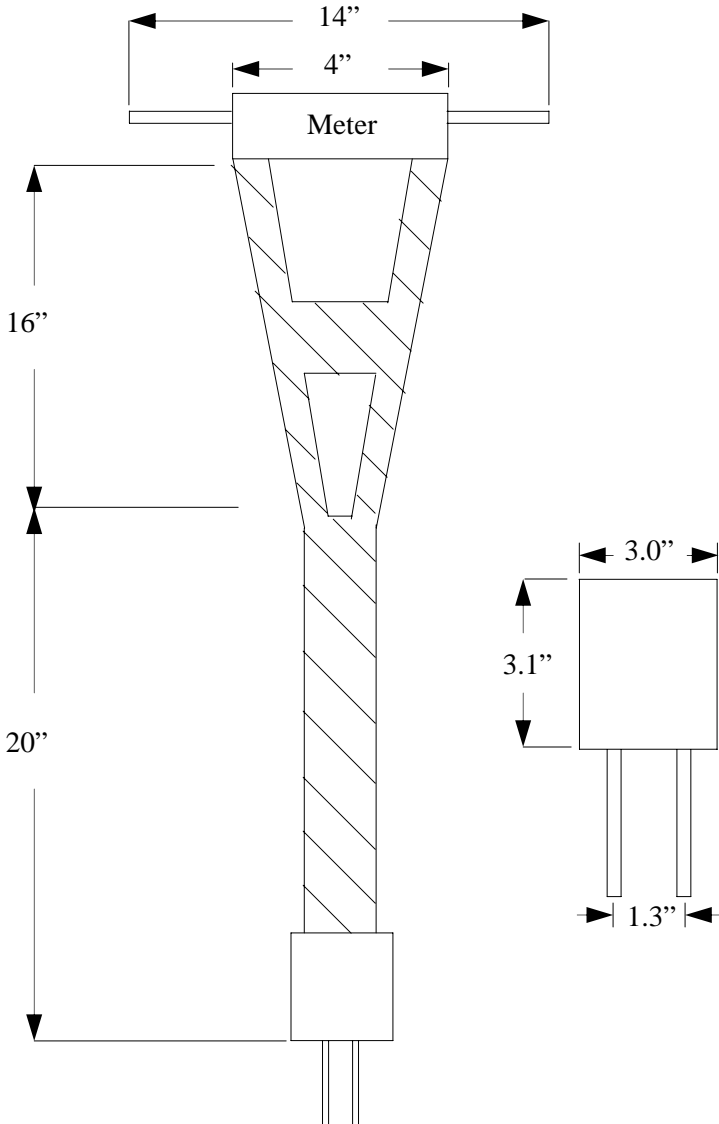
Your TDR300 shipment includes the following components:

- TDR 300 meter (in retracted position)
- Carrying case
- Wrench for tightening rods
- 4 AAA batteries
- Field Scout software installation CD
- Gray PC interface cable

Note: TDR rods are sold separately

SHAFT DIMENSIONS

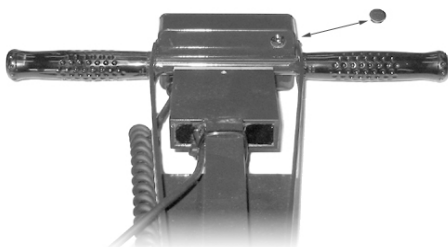
The following are the dimensions of a fully extended shaft. It is possible to reduce the length of the meter by 2" (5cm) by adjusting the lower half of the shaft.



COMPUTER INTERFACE/ CHANGING BATTERIES

Software Installation

Insert the CD for Field Scout software into your PC's disk drive. If auto-start is not enabled on your computer, select **Run** from the **Start** menu and type **D:\Setup.exe** (Substitute the appropriate drive letter for your CD drive). Click **OK** and follow the instructions on the screen.



*TDR 300
data port*

The data port on the underside of the TDR 300 meter (shown above) can be accessed by removing the plastic screw. It is through this port that the meter is connected to either a PC or to a GPS unit. The meter must be turned off before attempting communication with the software.

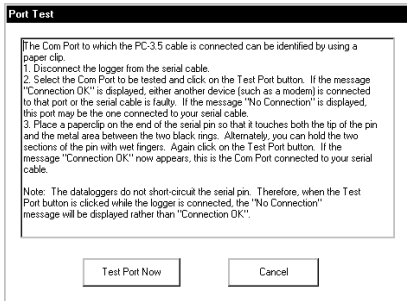
Connecting to a PC

The Field Scout software comes with a gray PC interface cable. This cable connects to the 9-pin serial port of your computer and to the meter's computer port. The meter's configuration can be modified by clicking on the **Meter Settings** button (see Meter Settings, p. 16). The **Com Port, Meter Type, Download, Clear Memory** and **Meter Settings** buttons are explained in the Field Scout Software Toolbar section (p. 14).

Changing the batteries

The battery compartment is accessed by removing the meter's face plate. The meter is powered by AAA batteries. **When installing new batteries, note whether the batteries immediately feel hot to the touch. The battery has been short-circuited and should be replaced.**

IDENTIFYING THE CORRECT COM PORT

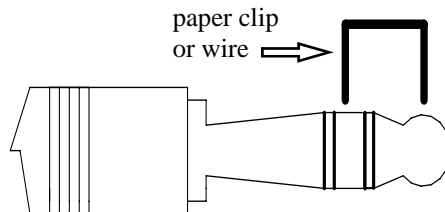


The computer **Communications Port** to which the PC-3.5 serial cable is connected can be identified by using a paper clip.

1. Disconnect the serial cable from the meter.

2. To bring up the **Port Selection** screen, click on the **Com Port** Button, select the com port to be tested and click the **Port Test** button. Click the **Test Port Now** button. If the message “Connection OK” is displayed, another device (such as a modem) is probably connected to that port. If the message “No Connection” is displayed, this port may be the one connected to your serial cable and you can proceed to the next step.

3. Place a paperclip on the end of the serial pin so that it touches both the tip of the pin and the metal area between the two black rings. Again click on the **Test Port Now** button. If the message “Connection OK” now appears, this is the com port connected to your serial cable.



NOTE: The dataloggers do not short-circuit the serial pin. Therefore, when the **Test Port** button is clicked while the meter is connected, the “No Connection” message will be displayed.

METER OPERATION

ON

The ON switch turns the meter/datalogger on and off. When the meter is turned on, it will display the battery status for 3 seconds. For the next 3 seconds, it will display how much logger memory has been used and, if the logger was enabled in the software, whether the GPS signal was found. If a GPS signal is found, latitude and longitude data will be included in the data file. The screen will then display the most recently used MODE screen.

Logger 75% Full
GPS=Yes DGPS=No

Logger 75% Full
No GPS Found

Sample meter power-up screens with datalogger enabled: left screen indicates GPS signal was found.

If you are using GPS, but the meter doesn't find the GPS signal when powering up, the meter will **not** search for the GPS signal when taking readings. Turn the meter off and on so it can look for the GPS signal. Once the signal is found, GPS information will be included in the data file until the signal is lost or the GPS unit is disconnected from the meter.

Note: If the data logger is disabled (see Meter Settings, p. 16), the meter will not seek the GPS signal when it is powered up. It will, instead, proceed immediately to the most recently used mode (see MODE button, p. 8) screen.

MODE

Pressing the MODE button allows the user to determine the type of measurement that will be taken or select the length of rods connected to the probe.

Data Collection Modes

Available measurement options are volumetric water content (VWC) using the standard or high clay mode (see p. 22), up to two relative water content modes (see p. 24), or measurement period (in microseconds). Relative water content options will only appear if they are configured in the software (see Meter Settings, p. 16). The period measurement is available for users interested in performing soil-specific calibrations (see Appendix 2).

Note: There is not a high clay measurement calibration for the 1.5" rods. The meter will display dashes if this mode/rod length combination is selected.

Changing Rod Length

**ROD=MED (4.7in)
HIT DEL To Chnge**

Rod Length Options Screen

In order to get accurate volumetric or relative water content (VWC or RWC) readings, the rod length setting must be correct. In the VWC modes, the currently selected rod length appears in the lower left corner of the LCD screen. The options are **T**urf (1.5"), **S**hort (3.0"), **M**edium (4.7"), and **L**ong (7.9") rods. Press the MODE button until the LCD displays the rod length options screen. Pressing the DELETE/CLR AVG button will allow you to toggle between the three choices.

Meter Calibration Mode

CALIBRATION MODE
HIT READ To Cal

Meter Calibration Screen

This mode allows you to calibrate the meter. The calibration procedure is performed in air and distilled water (see Meter Calibration, p. 10). Requires firmware v. 6.5 or greater.

Delete
Clr Avg

When the DELETE/CLR AVG button is pressed and immediately released, the last data point will be taken out of the logger file and removed from the running average. Pressing and holding this button will reset the running average but will not affect data stored on the data logger.

READ

Press the READ button to read the probe and update the screen values. Data values, along with GPS or DGPS information if applicable, are sent directly to the data logger. If the logger searches for, but doesn't find a GPS signal, an error message will briefly appear in the lower right corner. In this case, a data point will be stored without the GPS data. The data point can be cleared from memory with the DELETE/CLR AVG button (above).

When the data logger is full, the LCD will display the message "Error: Memory Full". To resume normal operation, the logger memory must be cleared using the **Clear Memory** button in Field Scout software (see p. 15)

METER CALIBRATION

The meter has internal calibrations for standard and high-clay soil types. These calibrations will work for a large number of soils. However, each meter will have a small difference in how it responds to identical soil conditions. This is due to sensor drift or variability in the electronic components used during manufacturing. Meters with *firmware v. 6.5 or greater* allow for adjustments to the meter calibration to account for these differences. Therefore, if two meters are giving slightly different readings in the same soil, the output of the meters can be standardized such that the meters can be used interchangeably. The calibration procedure is as follows:

1. Use the MODE button to put meter in Calibration mode (see p. 8). Hit the READ button
2. Hold the meter so the rods are in the air. Press the READ button and wait until the meter indicates it is ready.
3. Immerse the rods completely in distilled or de-ionized water. The container should have a minimum diameter of 3 inches. Press the READ button and wait until the meter indicates it is ready.

The meter will then show that the calibration is complete for that specific rod length. If more than one rod size is being used, a calibration operation must be done for each one.

Note: This procedure is different than a soil-specific calibration (Appendix 2, p. 28) where a unique calibration curve is generated.

TAKING READINGS

- Remove one of the hand screws from the shaft. This will allow you to unfold the shaft to its full length. Return the screw to lock the shaft in the extended position.



- Screw the rods into the sockets at the bottom of the probe block. The size of the nut at the base of the rods is 7/16”.

- Turn on the meter and ensure that it is configured with the correct rod length setting (see Changing Rod Length, p. 8).

- Select the correct mode setting (see Data Collection Modes, p. 8). This will bring you to one of the data collection screens. The TDR 300 can be set to one of two VWC modes, Standard or High Clay. The Standard mode will be appropriate for most mineral soils. The High Clay mode will be more accurate for soils with higher clay contents (>27%). In VWC mode, the top line of the display shows the VWC mode and the water content. The bottom line has probe setting and data file information.

STNDRD VWC%=35.1 PL=S N015 A=36.3
--

Sample Data Screen

- PL:** Probe Length (**T**urf, **S**hort, **M**edium, or **L**ong rods)
N: Number of readings included in the Average
A: Average of all readings taken since meter was turned on or DELETE/CLR AVG button was pressed

Note, the internal calibrations are valid for a wide range of mineral soils. However, for soils that are high in clay, organic matter or salt, the meter will give values that are higher than the actual VWC. In this case, it is recommended that the meter be operated in relative water content mode (see p. 24) or that a soil-specific calibration be developed (see Appendix 2).

The meter can also be set to give the raw reading if it is set to **Period** mode. This mode is intended primarily for soil-specific calibrations.

- Push the rods into the soil. When taking a measurement, it is important that the rods be fully inserted into the soil. If not, part of the sampling volume will be composed of air and the reading will be inaccurately low. For the same reason, the probe should be inserted with a steady, downward pressure. If the rods are wiggled into the soil, air pockets can be created adjacent to the rods that will result in low readings. The probe should not be struck with a hammer or other blunt instrument as this can cause damage to the internal electronics. Also, care should be taken to ensure the rods are inserted as parallel to one another as possible. This

will not have a large affect on the reading but will decrease the chances the rods will be bent or broken. Likewise, it is best to avoid areas with rocks or other material that can cause the rods to deflect or bend. If the ground is especially hard or compact, you can use a Pilot Hole maker (item 6430PH) to make 1½” holes to aid in starting the insertion of the probe rods.

- Press the **READ** button to initiate the measurement sequence. The reading should appear almost instantaneously.

Note: The TDR rods are manufactured from type 303 stainless steel and are designed to bend if non-vertical force is applied to them. This serves to protect the TDR block electronics from potential damage that could be caused by excessive force.

Occasional rod bending is normal, and can be expected during the course of sampling. Longer rods will be more susceptible to bending than shorter rods. If bending occurs, rods should simply be bent back to parallel position, perpendicular to the TDR block. Measurements will continue to be accurate provided that rods are reasonably close to parallel.

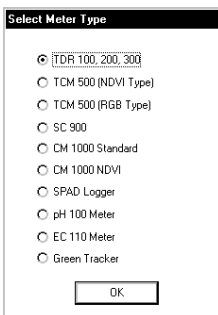
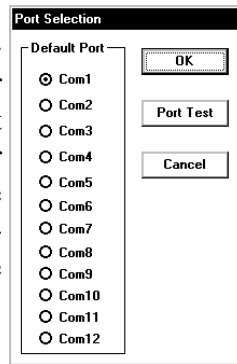
If care is not taken to reposition rods to a parallel position, subsequent pressure on the rods will accentuate the bending and may cause the rods to break. Rods should be considered maintenance items that may need to be replaced over time, depending upon the nature and frequency of sampling.

FIELD SCOUT SOFTWARE TOOLBAR



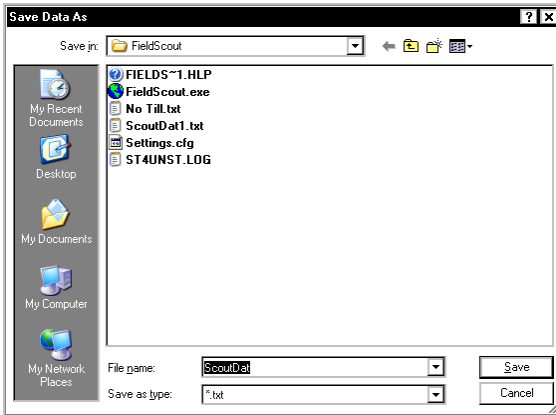
Com Port

The gray software cable connects the meter to the computer data port. Select the Com Port that is assigned to the computer data port. See Identifying the Correct Com Port (p. 6) for instructions on how to determine which port to select.



Meter Type

Select the TDR option from the list of available Field Scout meters.



Download

To download data from the internal data logger, turn the meter off and connect the gray serial cable to the RS-232 port on the underside of the meter. Click the **Download** button on the main software screen. In the **Save Data As** screen, give the file a descriptive name and select the location where it will be saved.

When the file has been saved, the software will give you the option of immediately viewing the file. The data file is stored as a comma-delimited text file and may be viewed in text editor or spreadsheet software.

Clear Memory

Data is not automatically removed from the logger memory after a download. The **Clear Memory** button clears all data from the logger memory.

Meter Settings

Click this button to configure the meter and data logger. Refer to “Meter Settings” (p. 16) for more details.

METER SETTINGS

Meter Settings

Meter Info.

Serial #: 1 Model #: TDR 300 Firmware Version: 5.0

Meter Name: (Max Length = 32 Characters)

Logger Settings:

Enable Meter's Logging Function (Must Be Checked to Log Data)

Set Meter to Record Only GPS Readings with Differential Correction

Enter Time Zone Correction Number (i.e. 5 for USA Central Time Zone)

Units:

Inches
 mm

Relative Water Content Set Points:

	Type 1	Type 2
Enable Display:	<input checked="" type="checkbox"/>	<input checked="" type="checkbox"/>
Type Name: (5 Chr Max)	<input type="text" value="Fld1"/>	<input type="text" value="Fld4"/>
Dry Set Point (%)	<input type="text" value="5"/>	<input type="text" value="8"/>
Wet Set Point (%)	<input type="text" value="35"/>	<input type="text" value="50"/>
Use Calibration:	<input type="text" value="Standard"/>	<input type="text" value="High Clay"/>

The Meter Settings screen in the Field Scout software is used to configure the meter and data logger for your specific application. The fields are described below.

Meter Name: The name given the meter will be the title on the first line of the downloaded text file.

Logger Settings: The data logger is enabled and disabled by checking the first box. If the data logger is enabled, it will search for a GPS signal when the meter is turned on. If a signal is found, position data will be stored along with the soil moisture data. If no GPS signal is available when the logger is turned on, the logger will no longer look for one when measuring and recording soil moisture data. If the second box is checked, the logger will store the GPS value **only** if it has been differentially corrected. In general, this option should remain unchecked. If the differential cor-

rection is not found, only the soil moisture value will be stored in the data file. A time-zone correction should be entered in the third box.

Units: When operating the meter in Relative Water Content mode, the LCD can display the rod length options in English or metric units. The meter will calculate and display the water deficit (see Relative Water Content p. 24) in the same unit system.

Relative Water Content Set Points: Up to 2 Relative Water Content (see p. 24) modes can be programmed into the meter by entering the wet and dry set points into the appropriate boxes. From the dropdown menus near the bottom of the screen, select which VWC calibration (Standard or High Clay) should be used for each RWC mode. Each of these modes can be given a descriptive name of 5 characters. These names can be used to identify a certain field or soil type.

Finally, for an RWC mode to be available, it must be enabled by checking the Enable Display box. If this box is not checked, that RWC mode will not appear on the LCD during meter operation.

CONNECTING TO A GPS UNIT

The data logger function must be enabled using the Field Scout software in order to record a GPS signal (see Meter Settings p. 16).

The GPS unit must be plugged into the TDR 300 meter and running when the meter is first turned on. If a GPS signal is found at startup, the logger will search for a GPS signal for every reading. If no GPS signal is found when the meter is first turned on, the meter will not search for one when taking readings, thereby saving time when taking readings. In this case the LCD will display the **No GPS Found** message.

If the GPS signal is found while taking geo-referenced readings, the LCD will briefly display the message, “**Reading GPS ..**” before displaying the measurement. If the GPS signal is lost during a series of readings, or if the specified differential correction is not found, the LCD will read “**Reading GPS .. ERR**” before returning to measurement mode. In this case, the data will be recorded without latitude and longitude. During subsequent readings, the meter will again search for a GPS.

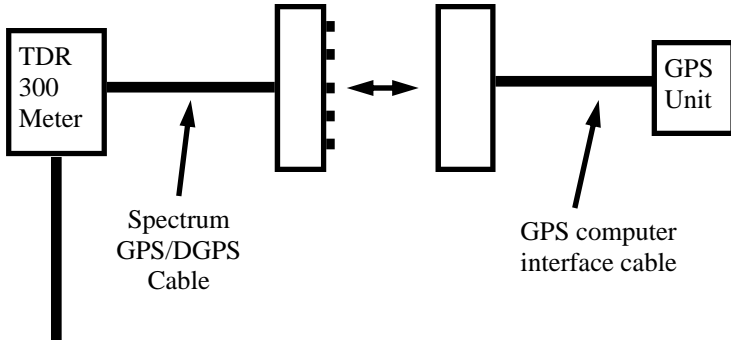
GPS Setting

Your GPS unit must be set for NMEA 0183 input/output messages. If the meter has trouble receiving the GPS signal, check that it has the following settings:

Data bits: 8	Stop bits: 1
Baud rate: 4800 bps	Parity: None
Timing: 1 second	GGA data string

Cable Connections

A GPS/DGPS cable (item # 2950CV5) is required to connect the TDR 300 meter to a GPS unit. This cable has a 9-pin male connection and a stereo pin that connects to the meter's data port. You will also need a cable that allows the GPS unit to connect to a 9-pin male serial port. If this cable doesn't come standard with your GPS unit, it should be available from the manufacturer. This cable is generally used to upload information from a computer to the GPS unit. These components should be connected as shown in the figure below.



Connecting the TDR 300 meter to a GPS unit

DATA FILES

	A	B	C	D	E	F
1	Name: Test					
2	Serial # 1					
3	Datum: WGS 84					
4	Longitude	Latitude	No.	% Water	Type	Rod Length
5	Logger Started: 8:01:30					
6	-88.3582	41.31085	N=1	30.7	Standard VWC	7.9in
7	-88.3582	41.31085	N=2	30.7	Standard VWC	7.9in
8	-88.3582	41.31085	N=3	30.7	Standard VWC	7.9in
9	-88.3613	41.31134	N=4	17.3	Standard VWC	7.9in
10	Logger Started 9:06:10					
11	-88.3595	41.31217	N=1	22.1	Standard VWC	4.7in
12	-88.3595	41.31217	N=2	22.5	Standard VWC	4.7in
13	-88.3595	41.31217	N=3	22.5	Standard VWC	4.7in
14	-88.3595	41.31217	N=1	14.5	Hi Clay VWC	4.7in
15	-88.3595	41.31217	N=2	14.5	Hi Clay VWC	4.7in
16	-88.3595	41.31217	N=3	14.5	Hi Clay VWC	4.7in
17	Logger Started					
18			N=1	27	Asnte	3.0in
19			N=2	31	Asnte	3.0in
20			N=3	42	Asnte	3.0in
21			N=4	78	Asnte	3.0in
22	Logger Started					
23			N=1	2750	Period uS	7.9in
24			N=2	2770	Period uS	7.9in
25			N=3	2780	Period uS	7.9in
26			N=4	2760	Period uS	7.9in
27						
28						

Sample data showing results of data collected with and without GPS activated. Note: GPS signal not found when recording data in lines 17 through 26.

The data is stored in comma-delimited text files. These files can be opened with text-editing software (e.g. Microsoft Word) or spreadsheet software (e.g. Excel).

The first two lines of the data file give the logger's name and serial number. The third line indicates that latitude and longitude are referenced to the 1984 World Geodetic Survey datum. The fourth line shows the column headings for the rest of the data file.

Logging sessions are started and completed by turning the meter on and off. The start of a logging session is indicated by the data line "Logger Started." If a GPS signal was found at the start of a logger session, a time stamp is included on the "Logger Started" line.

The data is separated into 6 fields: Latitude and Longitude (blank if a GPS unit was not connected), sample number, value, measurement type, and rod length. The “measurement type” data field indicates whether the reading is volumetric water content, relative water content or measurement period. For volumetric water content data, the calibration equation (Standard or High Clay) for that data point will also be included in measurement type.

VOLUMETRIC WATER CONTENT MEASUREMENTS

Volumetric Water Content (VWC)

The soil can be thought of as being composed of soil, water and air. The volumetric water content (VWC) is the ratio of the volume of water in a given volume of soil to the total soil volume. This can be expressed as either a decimal or a percent. Three soil moisture levels of importance can be defined as follows:

Saturation: All soil pores are filled with water. The VWC will equal the percent pore space of the soil.

Field Capacity: The condition that exists after a saturated soil is allowed to drain to a point where the pull of gravity is no longer able to remove any additional water.

Permanent Wilting Point: The highest moisture content at which a plant can no longer extract water from the soil.

Additionally, we can define Plant Available Water as the amount of water between Permanent Wilting Point and Field Capacity. One rule of thumb is that irrigation should be initiated when half the Plant Available Water has been depleted.

Time Domain Reflectometry (TDR)

The underlying principal of TDR involves measuring the travel time of an electromagnetic wave along a waveguide. The speed of the wave in soil is dependent on the bulk dielectric permittivity (ϵ) of the soil matrix. The fact that water ($\epsilon = 80$) has a much greater dielectric con-

stant than air ($\epsilon = 1$) or soil solids ($\epsilon = 3-7$) is exploited to determine the VWC of the soil. The VWC measured by TDR is an average over the length of the waveguide.

Electronics in the TDR 300 generate and sense the return of a high energy signal that travels down and back, through the soil, along the waveguide composed of the two replaceable, stainless steel rods. The sampling volume is an elliptical cylinder that extends approximately 3 cm out from the rods. The high frequency signal information is then converted to volumetric water content. High amounts of clay or high electrical conductivity ($EC > 2$ dS/m) will attenuate the high-frequency signal and affect the reading displayed by the meter. Very high organic matter content will similarly affect the VWC reading.

RELATIVE WATER CONTENT MODE

RWC=25.5 D=3.17in A=23.4 N=06 Asnte
--

In addition to displaying volumetric water content (VWC), the meter can also display the relative water content (RWC) and Water Deficit (see MODE button, p. 8). RWC is an index value calculated with respect to upper (wet) and lower (dry) VWC set points. The set points are configured with the software (refer to Meter Settings, p. 16). An RWC of 0 indicates the soil is at the dry set point while an RWC of 100 indicates the soil has reached the wet set point. (Example: Assume the dry set point is VWC=25% and the wet set point is VWC=40%. If the meter measured a VWC of 35%, this would translate to a RWC of 67 because 35% is 2/3 between 25% and 40%.) If the soil's volumetric water content is outside the range of the set points, it is possible to get a negative RWC or an RWC greater than 100.

If the volumetric water contents for field capacity and permanent wilting point are the wet and dry set points respectively, the RWC value will be equivalent to Plant Available Water (PAW). A general rule of thumb is to recommend irrigation when the soil has reached 50% of the PAW.

Also included on the first line is the Water Deficit. The Water Deficit is the amount of rain or irrigation water necessary to raise the soil water content to the wet set point. This calculation applies to a soil depth equal to the probe rod length. The water deficit can be extrapolated further into the profile if the porosity and water-holding characteristics are similar to the volume of soil sampled by the probe.

The second line of the LCD gives the Average (A) of all readings taken, the Number (N) of readings taken and the 5-symbol name given to this soil type in the Meter Settings screen (see p. 16).

SPECIFICATIONS

Measurement	Percent volumetric water content
Units	
Resolution	0.1%
Accuracy	$\pm 3.0\%$ volumetric water content with electrical conductivity $< 2 \text{ dS m}^{-1}$
Range	0% to saturation (<i>Saturation is typically around 50% volumetric water.</i>)
Power	4 AAA alkaline batteries Approximately 12 month life
Logger Capacity	2700 readings without GPS, 1250 readings with GPS/DGPS
Display	16 character, 2 line LCD
Weight	3 lbs. (1.4 kg)
Probe Head Dimensions	3.1" x 3" x 1" (7.8cm x 7.5cm x 2.5cm)
Rod Dimensions	Length : 1.5" (3.8cm), 3" (7.6cm), 4.7" (12cm) or 7.9" (20cm) Diameter: 0.2" (0.5cm) Spacing: 1.3" (3.3cm)

The internal data logger and RS-232 port are compatible with GPS/DGPS. The data logger's LCD screen will display the data in one of three modes (see MODE button p. 8):

1. Volumetric water content - in Standard or High Clay mode
2. Relative water content - up to 2 RWC modes can be established
3. Measurement period - in microseconds

APPENDIX 1

TIME ZONE CORRECTIONS

Time Zone Correction	City
0	Dublin, Lisbon, London
3	Rio de Janeiro, Montevideo
4	Asuncion
5	Atlanta, Indianapolis, New York, Ottawa, Bogota, Montreal, Toronto
6	Guatemala City, Houston, New Orleans, Chicago, Mexico City, Winnipeg
7	Phoenix, Denver, Edmonton
8	San Francisco, Los Angeles, Vancouver
9	Anchorage
10	Honolulu
11	Wellington
13	Adelaide, Melbourne, Sydney
14	Vladivostok, Brisbane
15	Seoul, Tokyo
16	Beijing, Hong Kong, Manila, Singapore, Taipei
17	Hanoi, Jakarta, Vientiane
18	Calcutta, New Delhi
19	Kabul, Islamabad
20	Tehran, Abu Dhabi, Dubai
21	Moscow, Nairobi, Kampala, Riyadh
22	Ankara, Athens, Helsinki, Istanbul, Cairo, Johannesburg, Harare
23	Amsterdam, Barcelona, Berlin, Geneva, Paris, Prague, Rome, Brussels, Madrid, Stockholm, Warsaw, Lagos

APPENDIX 2

SOIL-SPECIFIC CALIBRATION

For maximum accuracy, you may choose to perform a soil-specific calibration

Period = 0950 uS N015

rather than use either of the internal (Standard or High Clay) soil calibrations coded into the TDR 300's firmware. In these cases, an independent soil moisture content measurement is required. A relation can then be developed that relates the meter's period reading (see MODE button, p. 8) to actual volumetric water content (VWC). This is most easily accomplished by doing a regression of one set of data against another.

VWC data can be obtained with a device such as a neutron probe, by measuring the weight of a saturated soil column of known volume as it is gradually dried, or by gradually wetting a known volume soil with the addition of known increments of water. In most cases, however, the calibration will be done with gravimetric sampling. This procedure is briefly described below.

In the field, establish a number of sites to sample. Each site should be wetted to a different soil moisture content by adding varying amounts of water. At each site a Field Scout TDR reading is taken followed by the extraction of a known volume of soil. Ideally, this would be an undisturbed soil core. The wet weight of this soil must be determined. If the soil cannot be weighed immediately, it should be stored in a plastic bag to reduce evaporation. The soil is then oven-dried (105°C for 48 hours is a common requirement) and weighed again. The volumetric water content is calculated as follows:

$$\mathbf{VWC} = 100 * (M_{\text{wet}} - M_{\text{dry}}) / (\rho_w * V_{\text{tot}})$$

Where:

$M_{\text{wet}}, M_{\text{dry}} =$ mass (g) of wet and dry soil respectively

$V_{\text{tot}} =$ total soil volume (ml)

$\rho_w =$ density of water (1g/ml)

An alternate, but equivalent, calculation can be obtained from the gravimetric water content and soil bulk density.

$$\mathbf{VWC} = \text{GWC} * (\rho_b / \rho_w)$$

Where GWC is the gravimetric water content and ρ_b is the bulk density:

$$\text{GWC} = 100 * (M_{\text{wet}} - M_{\text{dry}}) / M_{\text{dry}}$$

$$\rho_b = M_{\text{dry}} / V_{\text{tot}}$$

The final step is to plot the calculated the measured period values with the readings obtained from Field Scout TDR meter. Regression analysis can then be performed on this data to develop an equation to convert from period to VWC.

APPENDIX 3

TROUBLESHOOTING

1. **Unable to bring up the Meter Settings screen.**

Generally, this indicates that the PC is not able to communicate with the meter. Check the following:

- The interface cable is securely connected to both the PC and the meter
- The meter has fresh batteries
- The meter is off
- The correct COM port is selected (see p. 6)
- The **Meter Type** is set to the TDR family (see p. 14)

2. **Dashes on the data screen while in Turf mode.**

Check that you are in **Standard** calibration mode. There is no **High Clay** calibration for the 1½” rods.

3. **I am getting getting VWC values near 0% for all measurements, even in very wet soil.**

Most likely a circuit component in the display is damaged and must be repaired. Contact Spectrum Technologies or your distributor to obtain a Return Goods Authorization (RGA) number.

4. **When turning the meter on, it indicated it had found the GPS signal. However, when taking readings I get a GPS error message.**

This can happen if the meter is set to only accept GPS readings that have been differentially corrected. In general, this is not necessary. On the **Meter Settings** screen (p. 16), uncheck the second box in the Logger Settings section.

5. The meter is not logging any data.

The meter is shipped with the data logger disabled. It must be enabled in the Meter Settings screen (p. 16).

6. My Average reading suddenly went to 0%.

The average is only calculated for a maximum of 65 readings. If additional readings are taken, the LCD will display a value of 0% for the average. Press and hold the DELETE/CLR AVG button (p. 9) to return to normal operating mode.

7. My LCD is stuck at N = 250.

250 is the maximum number the LCD will display. At this point, additional water content readings can be made, but the index number (N value) will stay at 250. Press and hold the DELETE/CLR AVG button (p. 9) to return to normal operating mode.

WARRANTY

This product is warranted to be free from defects in material or workmanship for one year from the date of purchase. During the warranty period Spectrum will, at its option, either repair or replace products that prove to be defective. This warranty does not cover damage due to improper installation or use, lightning, negligence, accident, or unauthorized modifications, or to incidental or consequential damages beyond the Spectrum product. Before returning a failed unit, you must obtain a Returned Materials Authorization (RMA) from Spectrum. Spectrum is not responsible for any package that is returned without a valid RMA number or for the loss of the package by any shipping company.



DECLARATION OF CONFORMITY

Spectrum Technologies, Inc.
12360 S. Industrial Dr. East
Plainfield, IL 60585 USA

Model Numbers: 6430FS
Description: Portable Soil Moisture Probe
Type: Electrical Equipment for Measurement, Control, and Laboratory Use
Directive: 2004/108/EC
Standards: EN 61326-1:2006
EN 61000-4-2:1995, including A1:1998 and A2:2001
EN 61000-4-3:2002
As a consequence of the meter's measurement principle, radio frequencies less than 950 MHz can affect the meter's readings. Operating the meter in areas where such transmissions are present should be avoided.
EN 55011:2007

Douglas L. Kieffer, Soil/Water Products Manager

March 18, 2009

Spectrum[®] Technologies, Inc.

12360 S. Industrial Dr. E
Plainfield IL 60585
(800) 248-8873 or (815) 436-4440
Fax (815) 436-4460
E-Mail: info@specmeters.com
www.specmeters.com